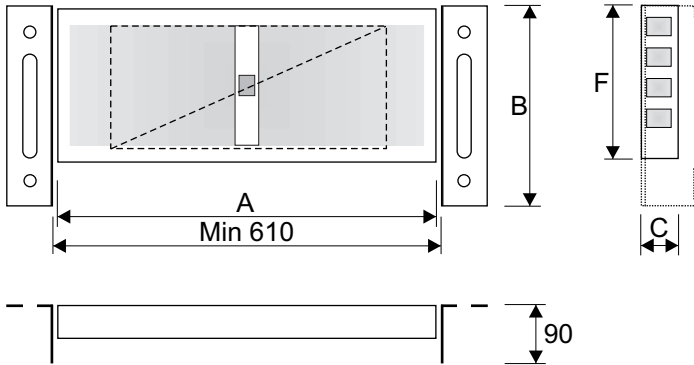
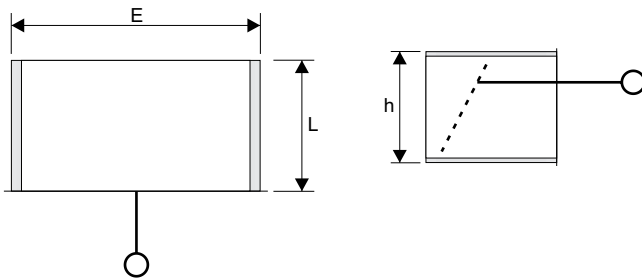


Type and use :  
**Fresh air valve unit for mounting behind radiator**

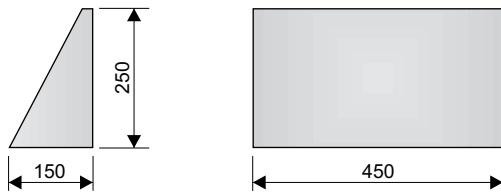
**Unit and fastening**



**Wall duct**



**Hood (accessory)**



**Dimensions & weight**

Type	A	B	C	E	F	Weight
<b>URS</b>	600	250	65	400	200	8

Rw = URR with BVG and outer wall grill BRY.

**URS Capacity**

q l/s	z Pa	Outside temp C	Radiator effect w	Near zone I02
30	5	-20	>1000 W	0,6
40	9	-20	>1000 W	0,6
50	13	-20	>1500 W	0,6
60	19	-20	>2000 W	0,6

Table above shows air flow, pressure drop and near zone for varying outside temperature and radiator effect. Near zone I02 refer to a thin layer closest to the floor, in front of the radiator, where the air velocity reaches 0,20 m/s at current outside temperature and radiator effect.

**Description, colours etc.**

URS are delivered as standard in three units:  
 · Spreader in painted sheet steel 600 x 250 x 65 mm and connection in the back 400 x 200 mm. Colour white, rubber seal against wall.  
 · Two fastenings to be mounted on both sides of the spreader for later installation of the radiator. The fastenings are adjusted depending on radiator type and height.  
 · Wall duct is internally isolated with 25mm dacron and include closing damper and a regulating arm. The ducts length are adjusted depending on the thickness of the wall and the connection against the grill or hood on the facade. Standard colour: White.

Packaging materials used are polyethen plastic, cardboard and wood.  
 All included components are recyclable.  
 Enviromental policy is sent on request.

**Accessories**

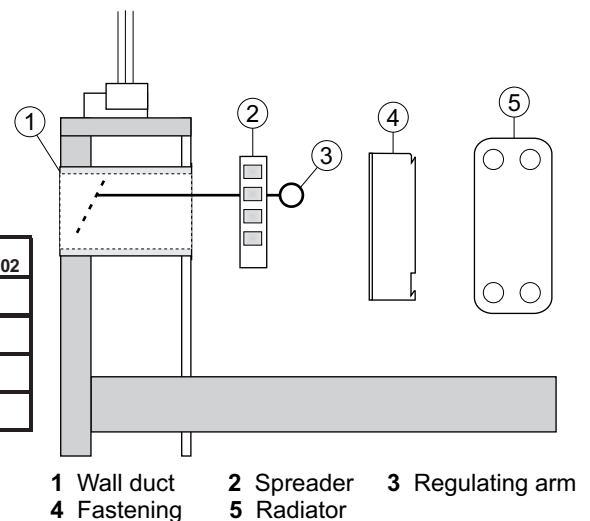
Hood for mounting on facade, state colour.  
 Stainless steel alternatively painted sheet steel.  
 Outer wall grill for mounting on facade.  
 Custom painted.

**Maintenance**

Clean with water and mild detergent solution.

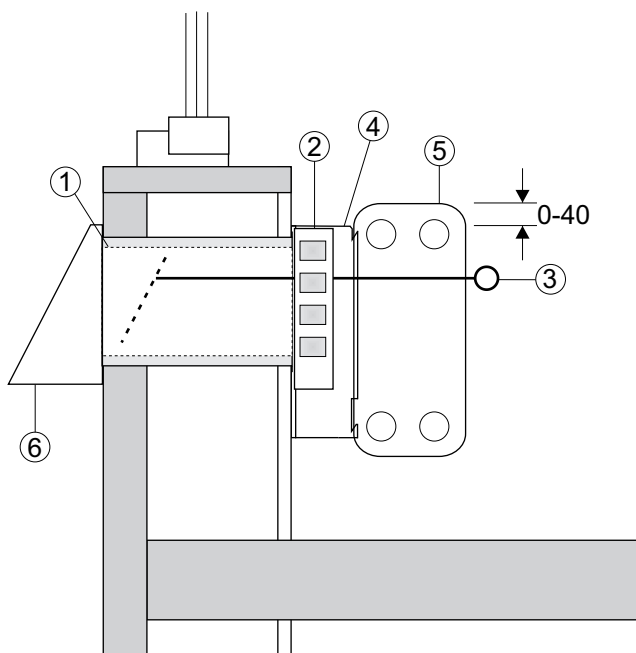
**Assembly etc.**

The lenght-adjustable duct is installed in the wall below the window so that the outer wall grill (accessory) or hood (accessory) is placed in the right height. The grill or hood is mounted. The spreader is mounted directly placed against the duct after the regulating arm has been inserted. Fastenings for the radiator are placed on both sides of the spreader. Make sure that these fastenings are placed in the right distance and height accordingly to your choice of radiator. See the radiator manufacturers instructions and the installation section.



### Installation alternatives

URS is installed below a window behind radiators type duplex or triplex.  
 Smallest radiator span are 22 sections!  
 The spreader should be placed in level with the radiators top or slightly lower (0-40mm).



- 1 Wall duct
- 2 Spreader
- 3 Regulating arm
- 4 Fastening
- 5 Radiator
- 6 Hood (accessory)

