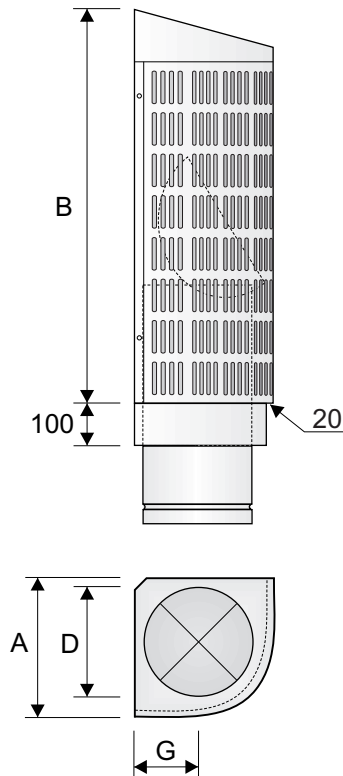


Product information TQUN

www.netologen.se
version : 2005-1

Type and use :

Quarter round low impulse unit for clean room installations, 4 environmental classes.



Dimensions & weight

TQUN	A	B	D	G	Kg
20	310	980	200	145	11
25	360	980	250	170	13
31	420	980	315	200	19
40	600	980	400	245	33

Cleaning

Open the unit by loosening the screws in the front. The inside of the unit is easily cleaned.

Commissioning

If necessary the unit is supplied with external measuring unit and adjusting damper.

Description, colours etc.

Quarter round low impulse unit with slitted front, net behind. Connection from below, tilted top. Plinth included.

Openable.

Openable spreader in perforated sheet steel, water rejection.

Cleanable, does not contain filter material.

Material: Polman's environmental class **T1 - T4** (see Tech & Advice)

Performance level: Can be obtained in classes **A, B** or **C**.

Packaging materials used are polyethen plastic, cardboard and wood.

All included components are recyclable.

Environmental policy is sent on request.

Specification

Example of unit size 25, manufactured in brushed stainless steel, performance level B, fully welded/silicone jointed accordingly to Tech & Advice.

Polman's supply air unit type **TQUN-25** environmental class T3A performance level B.

Maintenance

Clean with environmentally appropriate solution.

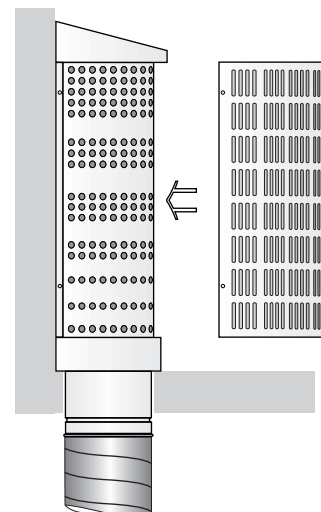
Assembly etc.

Mounted on wall, standing on floor.

Loosen the front.

Screw the back plate against the wall.

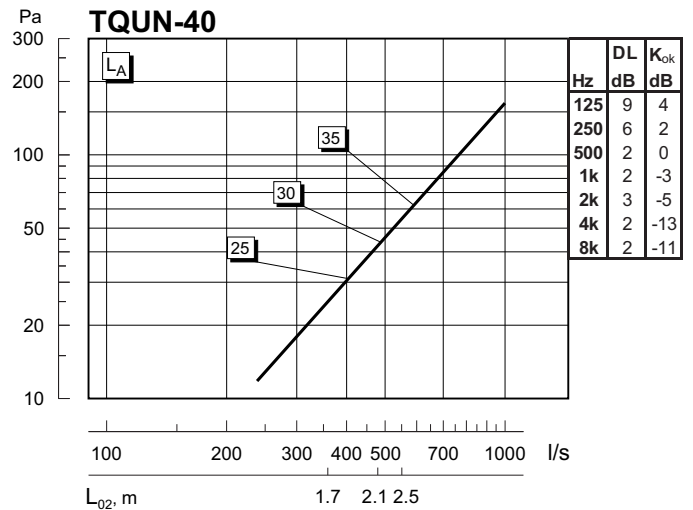
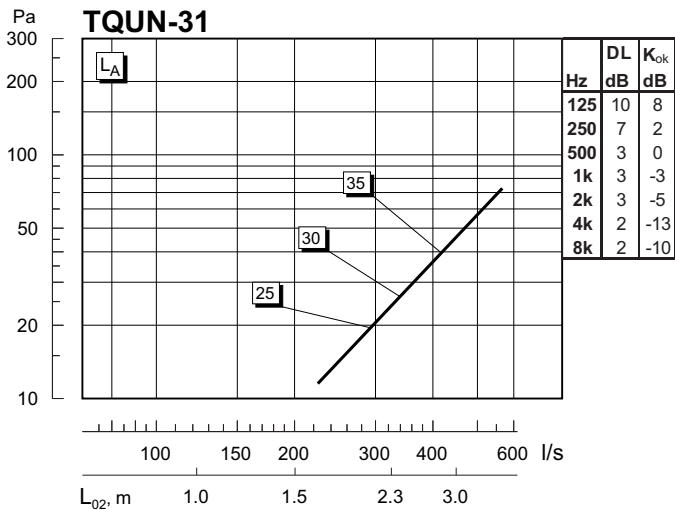
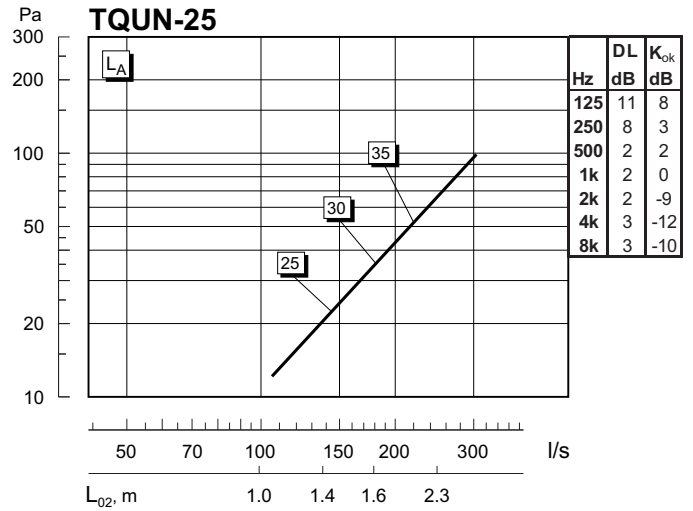
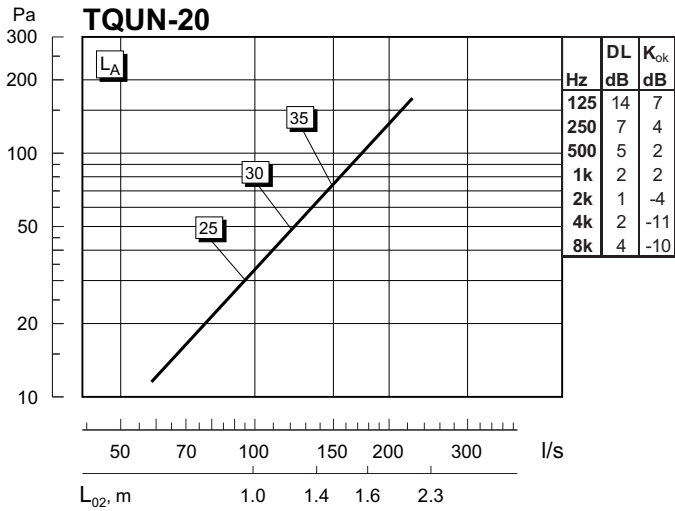
Mount the front. Apply silicone against the wall. (Concerns performance level B and C)



Selection charts

L_{02} = Distance from the unit at a height of 100 mm above floor level where the air velocity has reduced to 0,2 m/s, when the difference between supply air temperature and room temperature at 1,0 m above floor level equals 5°C.

ΔL = Sound attenuation (dB) / frequency, Hz. K_{ok} = Sound power level (dB) / frequency, Hz.



Installation alternatives

