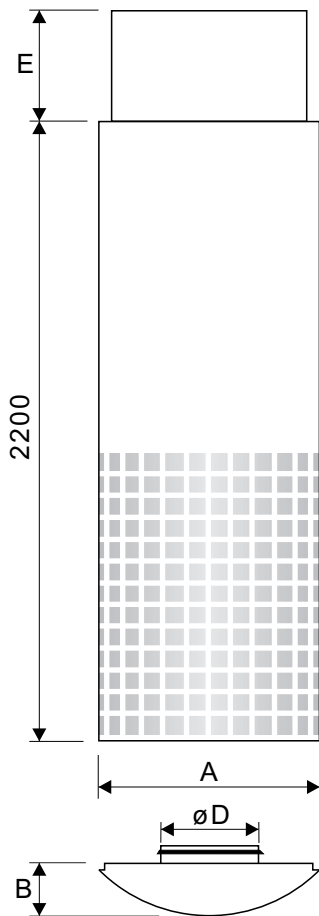


Type and use :
Bow shaped low impulse unit for comfort installations.



Dimensions and weight

LKB	A	B	Ø D	E	Kg
12	350	90	124	0-600	25
16	450	105	159	0-600	32
20	555	125	199	0-600	40
25	660	150	249	0-800	50
31	780	175	314	0-800	59

Description, colors etc.

Made in 1.5mm galvanised sheet steel.
Powder coated external finish.
Circular duct connection with rubber seal.
Complete unit including damper and silencer.
Adjusting damper and air spreader made from galvanised sheet steel.
Side rails with concealed wall fixing.
Measuring point and tube made from PVC.
Adjusting cord made from polyester.
Duct cover with adjustable end piece at top.
Cleanable and does not contain filter material.
Standard colour: White

Environmental declaration:

Standard packing in a cardboard carton on a wooden pallet.
Transportation by lorry.
All components can be recycled.
The company environmental policy can be obtained on Request.

Accessories

Near zone regulator and base frame.

Maintenance

Clean with water and a mild detergent solution.

Adjustment, cleaning

The unit duct connection piece includes an adjusting damper.
Adjusting can be carried out when the unit front is removed.
The damper is pulled up- or downwards and should be screwed in the right position.
A manometer or U-tube should be connected to the measuring probes.
The cleaning port can be opened for inspection of the damper. By marking the damper plate position it can be opened for cleaning and the refitted in the right position.
The near zone can be adjusted by a near zone regulator.
The accessories can be fitted at any time.
The unit can be cleaned after the front has been removed and the cleaning port on the internal duct opened.

K-factor

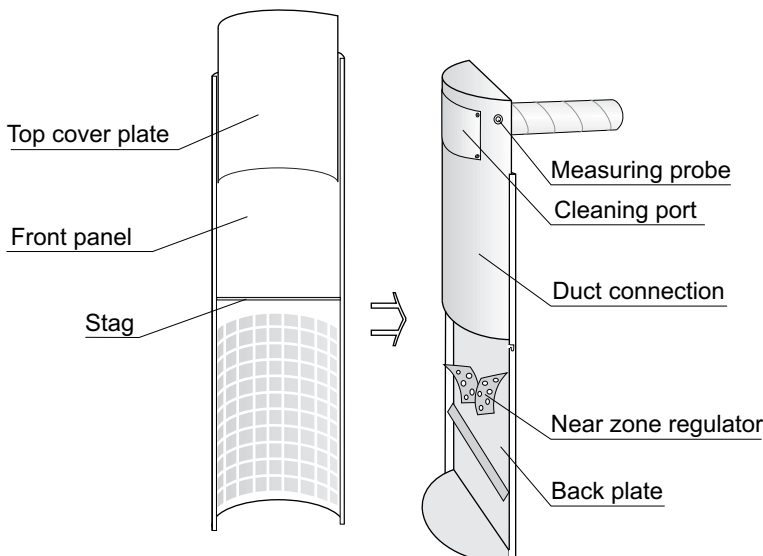
Dim	12	16	20	25	31
K	7,3	17,3	28	39,3	57

Assembly

To be mounted on a wall. The LKB unit is supplied in four main parts; The duct connection piece, the back plate, the front panel and top cover plate.

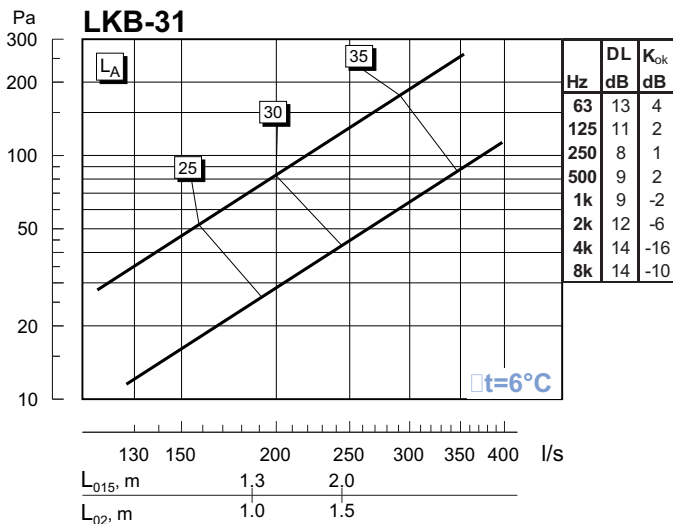
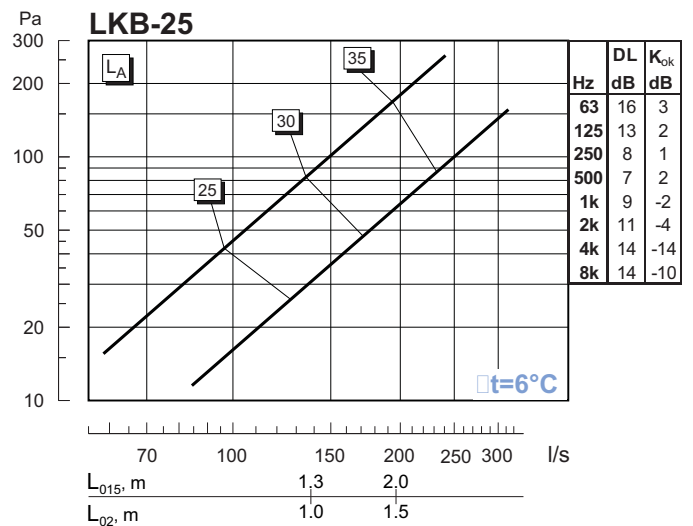
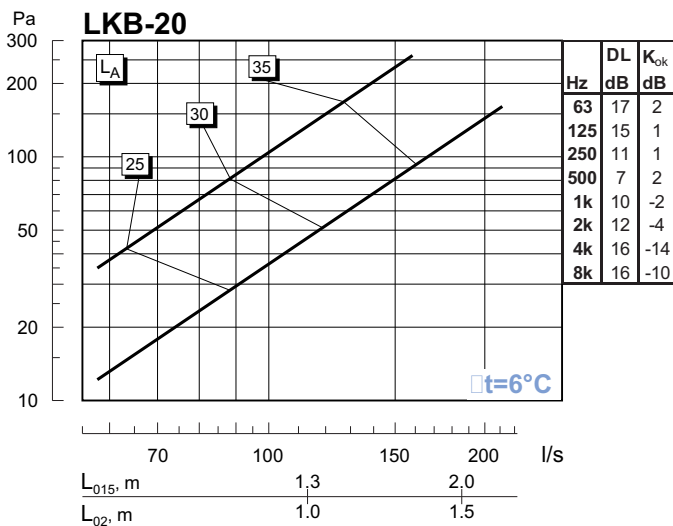
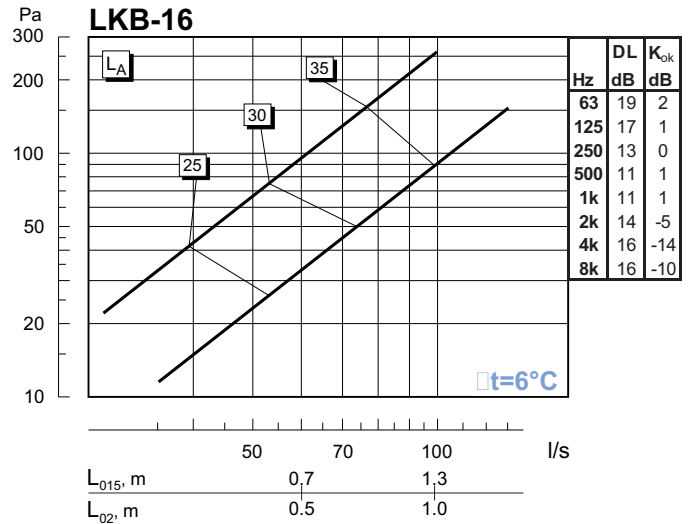
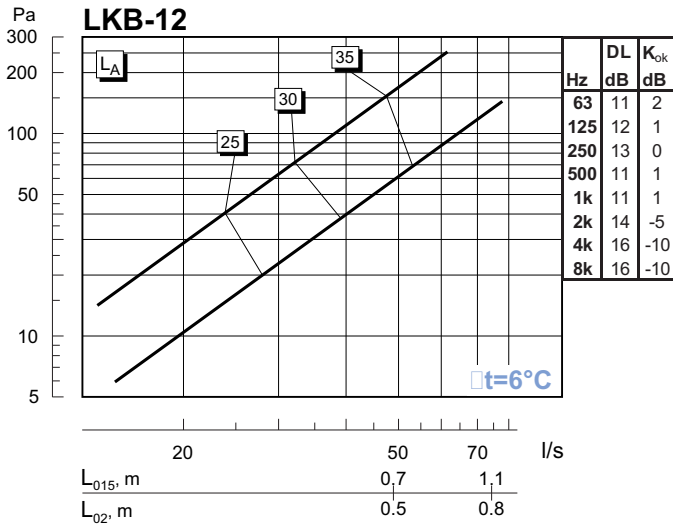
It is important that the back plate is fixed close to the front panels fixing points, drilling directions are given.

Front and cover plate are pulled out to the correct length, whilst laid out on the floor, and are riveted together with the side rails. The rivets should be fixed from the inside of the cover plate. Fit the front panel to the back plate and secure it with two screws at the bottom through the pre drilled holes.

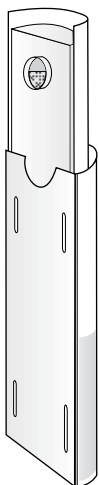


Selection charts

L_{02} = Distance from the unit at a height of 100mm above floor level where the air velocity has reduced to 0,2 m/s, when the difference between supply air temperature and room temperature at 1,0 m above floor level equals 6° C.
 DL = Sound attenuation (dB) / frequency, Hz. K_{ok} = Sound power level (dB) / frequency, Hz.

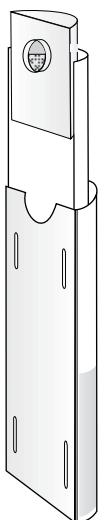
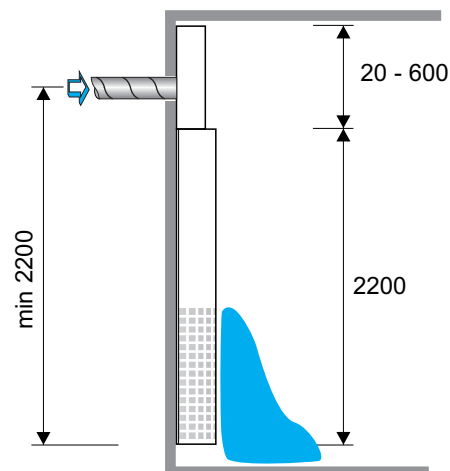


Installation alternatives



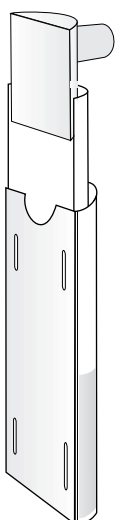
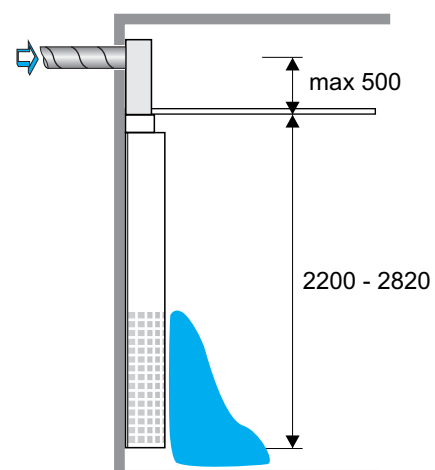
A - Normal installation

A normal installation can be carried out when the connecting duct is below the ceiling.
 Rear connection.



B - High connection alternative

A high connection or a low ceiling means that the connecting duct is above the ceiling height. If you have access to the space above the ceiling you can use a standard unit, if not you must use a cleanable adjusting damper.



C - Front connection

When you connect an LKB from the front you normally have a false ceiling or duct cover. In this case it is recommended to use a cleanable adjusting Damper in the duct system.

