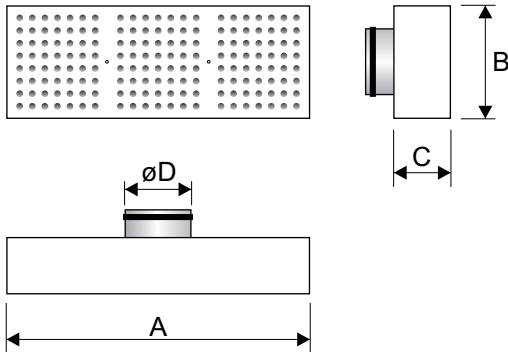


# Product information F-03a

www.netologen.se  
version : 2005-1

Type and use :  
**Exhaust unit for visible wall mounting.**

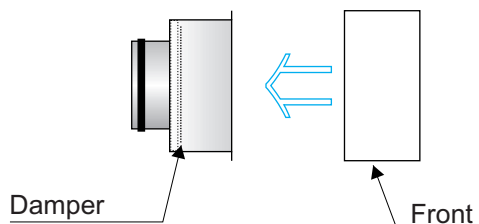
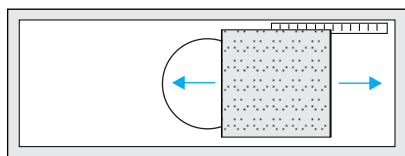


## Dimensions & weight

F-03a	A	B	C	øD
12	425	200	103	124
16	550	240	123	159
20	700	325	123	199

## Commissioning, cleaning

Connect the measuring cord to the tube and unhook the front. Adjust the damper accordingly to the scale inside of the unit and compare this to the k-factor. The damper can be pre-adjusted through instructions). When the commissioning are finished put the dividing plate in position in front of the connection and mount the front.



## Description, colours etc.

Exhaust unit in galvanised sheet steel, powder coated painted. Openable without tools. Circular duct connection with EPDM rubber seal. Plenum box and adjusting damper in galvanised sheet steel. Measuring tube and cord of PVC-plastic. Sound attenuating material in polyester. Cleanable, does not contain filter-materials. Standard colour: White

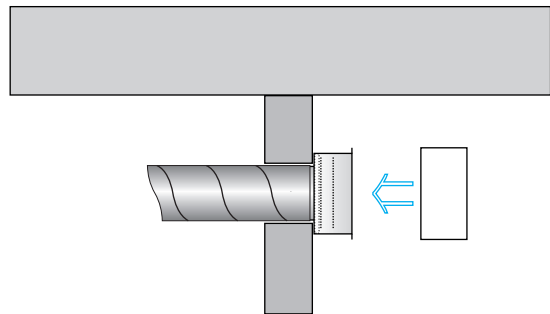
Packaging materials used are polyethen plastic, cardboard and wood.  
All included components are recyclable.  
Environmental policy is sent on request.

## Maintenance

Clean when necessary by using warm water and detergent solution.

## Assembly etc.

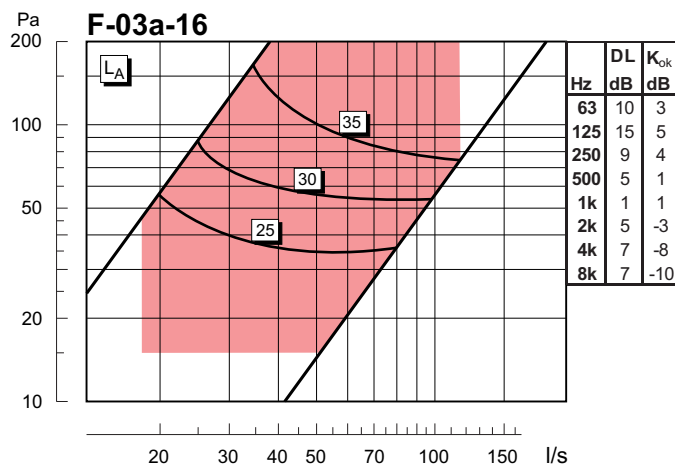
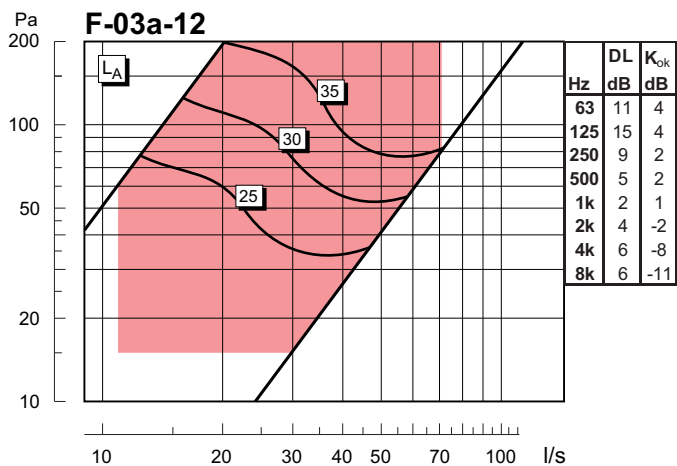
Mounted on wall shown below.



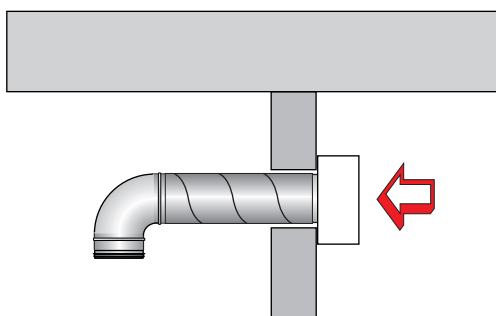
*The unit can not be recessed and maintain the same performance. Place the unit on the wall in the room it serves. The unit box is screwed directly on the wall, and the front of the unit is screwed to the box.*

**Selection charts**

$\Delta L$  = Sound attenuation (dB) / frequency, Hz.  $K_{ok}$  = Sound power level (dB) / frequency, Hz.



**Installation alternatives**



Place the unit on the wall in the room it serves. The unit box is screwed directly to the wall, and the front of the unit is screwed to the box.