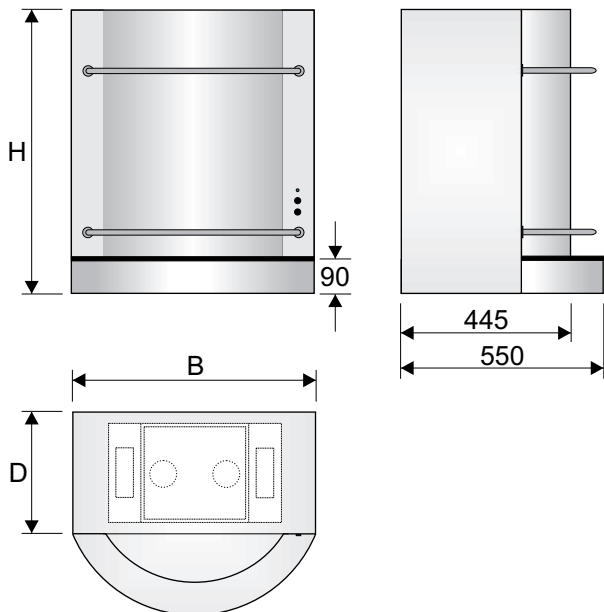


Product information EKB B

www.netologen.se
version : 2005-1

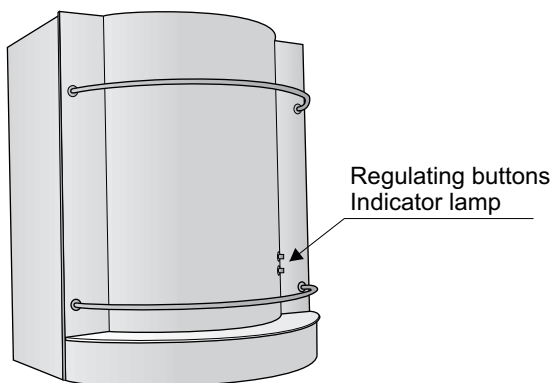
Type and use :

Wall mounted kitchen hood with exhaust fan.



Dimensions & weight

EKB B	B	D	H	ø d	Kg
0605	598	340	710	124	40



Description, colours etc.

Casing in galvanised sheet steel.
Powder coated painted.
Fat filter in aluminum.
Equipped with exhaust fan, two available side connections.
2 lights, 220V with protective glass.
Buttons in stainless steel.
Circular duct connection with EPDM-rubber seal.
Cleanable, does not contain filter material.
Standard colour: White, Gray or Light gray Hammer Paint.

Packaging materials used are polyethen plastic, cardboard and wood.
All included components are recyclable.
Environmental policy is sent on request.

Custom made

Special colour or stainless steel.
Dimension made.
Other connection than standard.

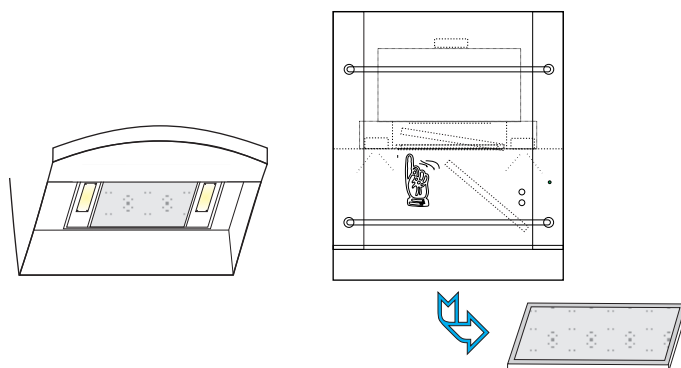
Accessories

KF-hose (type approved) with 2 clamps.
Duct cover plate, IKB between ceiling and EKB (state height)

Maintenance

Open the front (on hinges) to clean internally. The filter should be cleaned when necessary, at least once a month though. You reach the filter from under the hood. Lift the filter in one side and bend it out of the frame. Wash it by hand or in the dishwasher.

To replace the lamps you have to loosen the protective glass. Screw the protective glass in place afterwards.



Product information EKB B

www.netologen.se
version : 2005-1

Sound power level

The sound power level varies depending on numbers of side connections, which controls choice of fan.

Function and use

EKB B is a volume hood. The filter house is placed high inside the hood for better assimilating volume.

The airflow (forced and ground flow) is regulated through a button in the front of the hood. The exhaust fans ground flow can not be shut off from the outside of the hood.

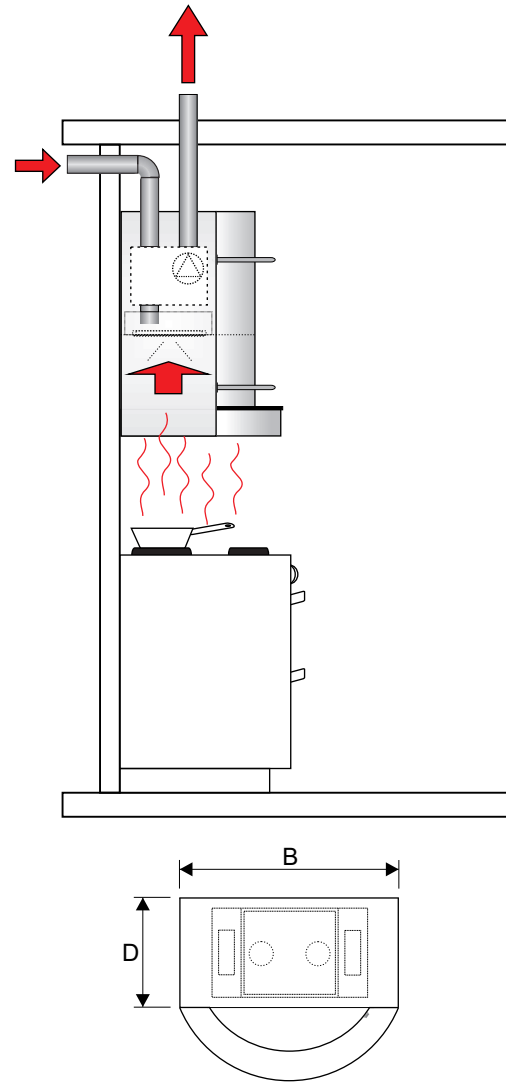
The lighting is adjusted through the other button on the frontside of the hood.

Electricity

The EKB B hood requires 200V.
Plug with 1,5m cable can be found inside the hood at the filter house.

Commissioning, cleaning

Commissioning of the exhaust airflow is done with the fan inside the hood. Open the front to clean. Shut the power off when commissioning and cleaning.



Assembly etc.

Start by removing the packaging. Dismount the front if needed. Loosen the hinges. Separate the front carefully, the cable from the hood to the filter house is extra long for greater tolerance. If you need to separate the cable from the filter house this can be done by certified electrician. Contact Polman's for information about the wiring. Handle the front carefully!

Place the backplate in the right position between the upper cupboards. Drill and plug accordingly to the walls requirements. Screws and plugs are not included in delivery. Screw the hood to the backplate / wall. Do not screw in the edge of the backplate, otherwise you risk obliquity and problems mounting the filter house and front.

Connect to the aeration and ev. side connection from the bathroom for example. State number of side connections when specifying.

Mount the filter house in the frame with four screws. Connect the exhaust system to the duct and KF-hose (accessory). Cut the KF-hose and the circular duct in the correct length and mount it with clamps. The KF-hose and hose clamp are accessories. Do not fold / bend the KF-hose.

Place the fat filter in the frame.

Connect 220V electricity to the filter house.

Mount the front to the hinges.

